

Trio  
GENERATOR

**VOLVO  
PENTA**

**MADE IN  
TURKEY**



**DATAKOM**



**D-500-LITE**

INTERNET ENABLED GENSET CONTROLLER



OUTPUT VALUES

Standby Power	Voltage	230/400
Standby Power	kVA	145
Standby Power	kW	116
Standby Power	Amper	209
Prime Power	Voltage	230/400
Prime Power	kVA	130

Prime Power	kW	104
Prime Power	Amper	187

## DIESEL ENGINE

Brand	VOLVO
Model	TAD532GE
Max. Total Output Pow. (kWm/hp)	129/175
Cylinder Displacement (lt)	4,76
Cylinder Orientation	4 cylinders
Bore x Stroke(mm*mm)	108 x130
Compression Ratio	17.5:1
Governor Type	Electronic
Rotation	1500 RPM
Aspiration System	TurboCharged-Intercooler
Injection	Direct
Cooling System	Water Cooled
Electrical System(V DC)	24
Oil Capacity (lt)	13
Engine Coolant Capacity (lt)	20
Fuel Cons. %50 (lt/h)	14
Fuel Cons. %75 (lt/h)	21
Fuel Cons. %100 (lt/h)	29

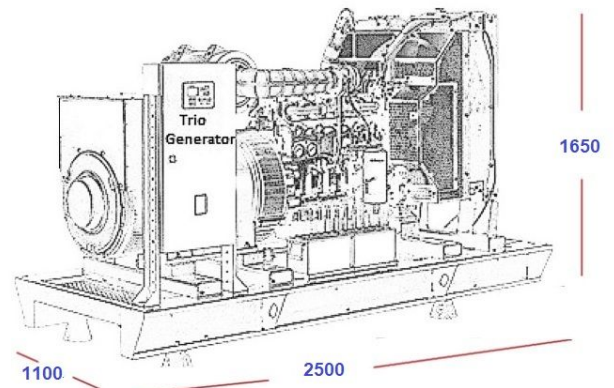
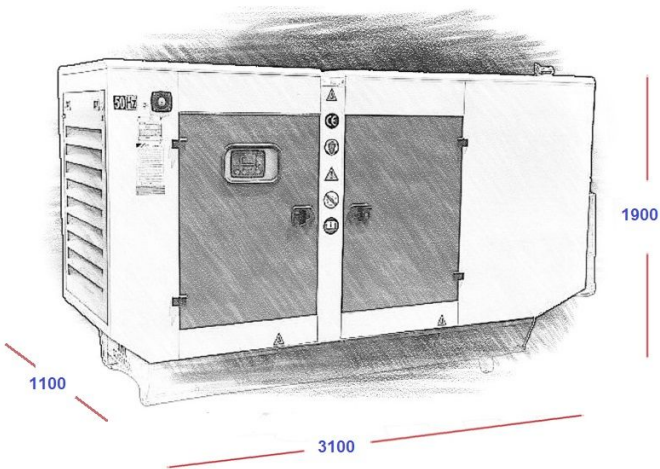
## ALTERNATOR

Standby Power (kVa/kw)	145/116
Prime Power (kVa/kw)	130/104
Brand	LEROY SOMER
Output Voltage (V)	231/400
Frequency (Hz)	50
Stationary Vol. Regulation(±)	0,01
Short Circuit Current	%300 (10 sec)
Insulation	H
Protection	IP23
Efficiency (%)	92
Overloading	110% for 1 hour
Power Factor (cos Q=0.8)	0,8
Tot. Harmonic Dist. Rate	<1 %
Connection Type	Star
Number of Pole	4
Number of Bearing	Single

## DIMENSIONS & WEIGHT

Without Canopy	Width	1100 mm
Without Canopy	Length	2500 mm
Without Canopy	High	1650 mm
Without Canopy	Weight	1320 kg

Without Canopy	Fuel Tank Capacity	280 lt
With Canopy	Width	1100 mm
With Canopy	Length	3100 mm
With Canopy	High	1900 mm
With Canopy	Weight	1560 kg
With Canopy	Fuel Tank Capacity	280 lt



**MADE IN  
TURKEY**